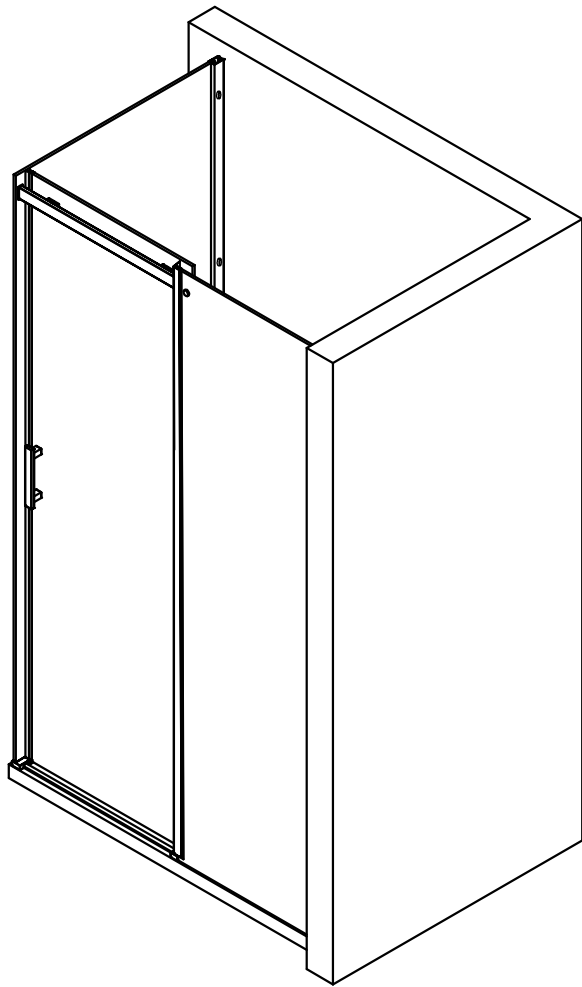
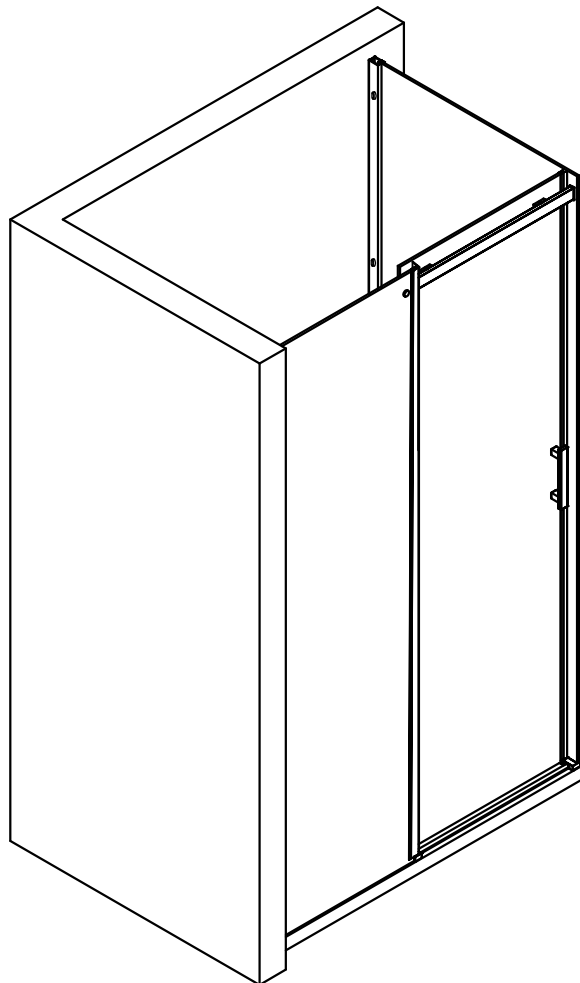


Ravenna 18

DRS01-R

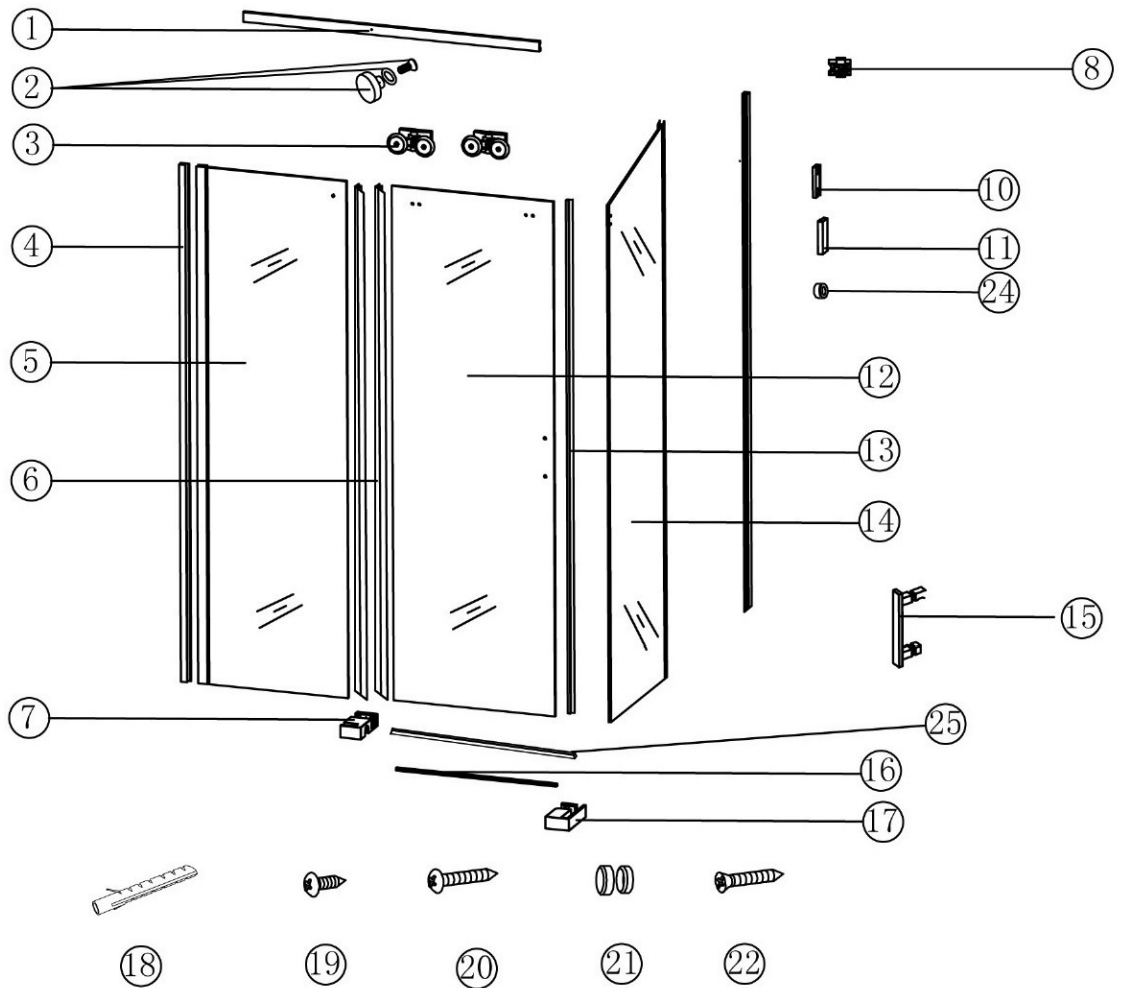


DRS01-L



COD.		APERTURA
model	L (MM)	A (MM)
DRS01	1000	440
	1100	490
	1200	540
	1300	590
	1400	640

Installation manual

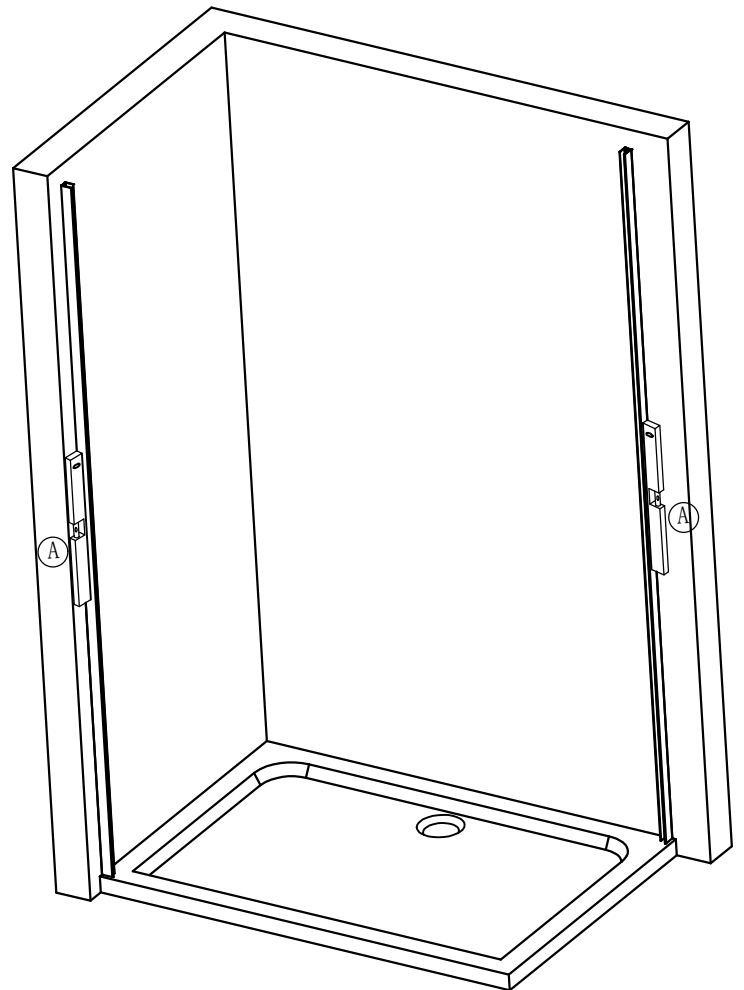
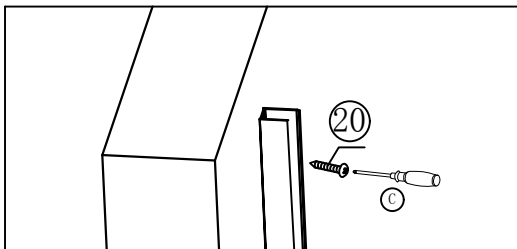
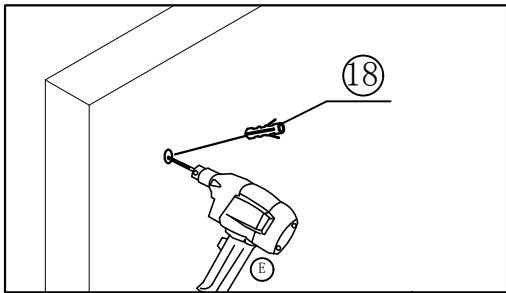
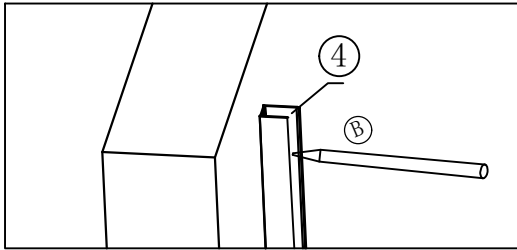


NO.	NAME	QTY	UNIT	NO.	NAME	QTY	UNIT	NO.	NAME	QTY	UNIT	NO.	NAME	QTY	UNIT
①	Guide rail aluminum	1	PCS	⑧	Activity threshold a piece	1	PCS	⑬	The water retaining aluminum	1	PCS	⑭	Screw sleeve	2	PCS
②	Guide the nails	1	PCS	⑩	Guide gasket	1	PCS	⑮	Angle of fixed parts	1	PCS	⑮	The water-proof strip is under water	1	PCS
③	Universal double	2	PCS	⑪	Guide decorative covers	1	PCS	⑯	Plastic expansion tubes	7	PCS				
④	Against the wall aluminum	2	SPC	⑫	Activity of glass	1	PCS	⑰	ST4×16	6	PCS				
⑤	Fixed glass	1	PCS	⑬	Weather bar	1	PCS	⑱	ST4×40	7	PCS				
⑥	Weather bar	2	PCS	⑭	Side glass	1	PCS	⑲	Decorative covers	6	PCS				
⑦	Door in design	1	PCS	⑮	Door handle	1	PCS	⑳	ST3.8×30	4	PCS				

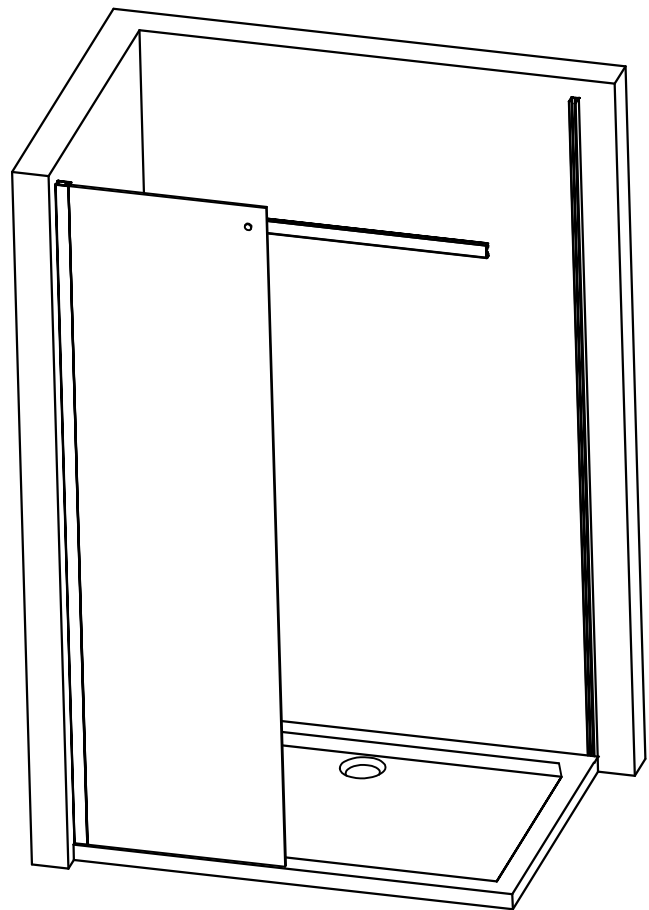
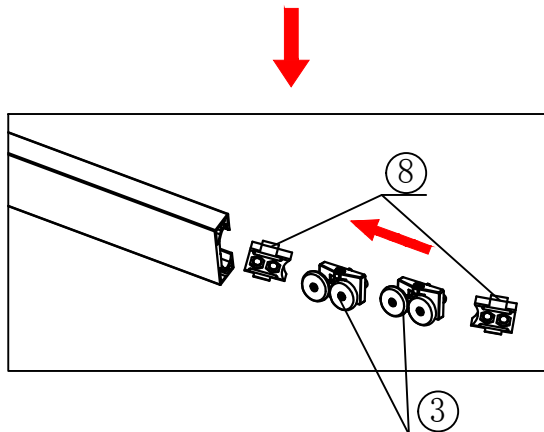
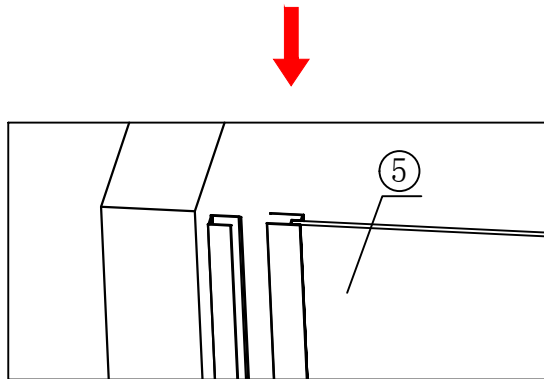
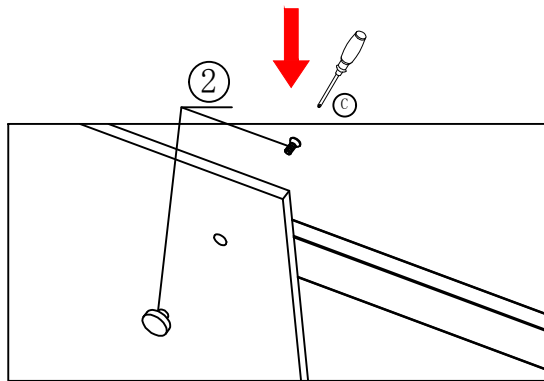
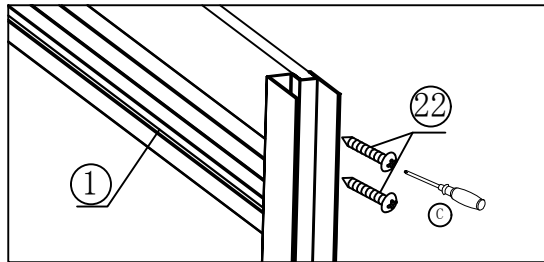
Tools for installation



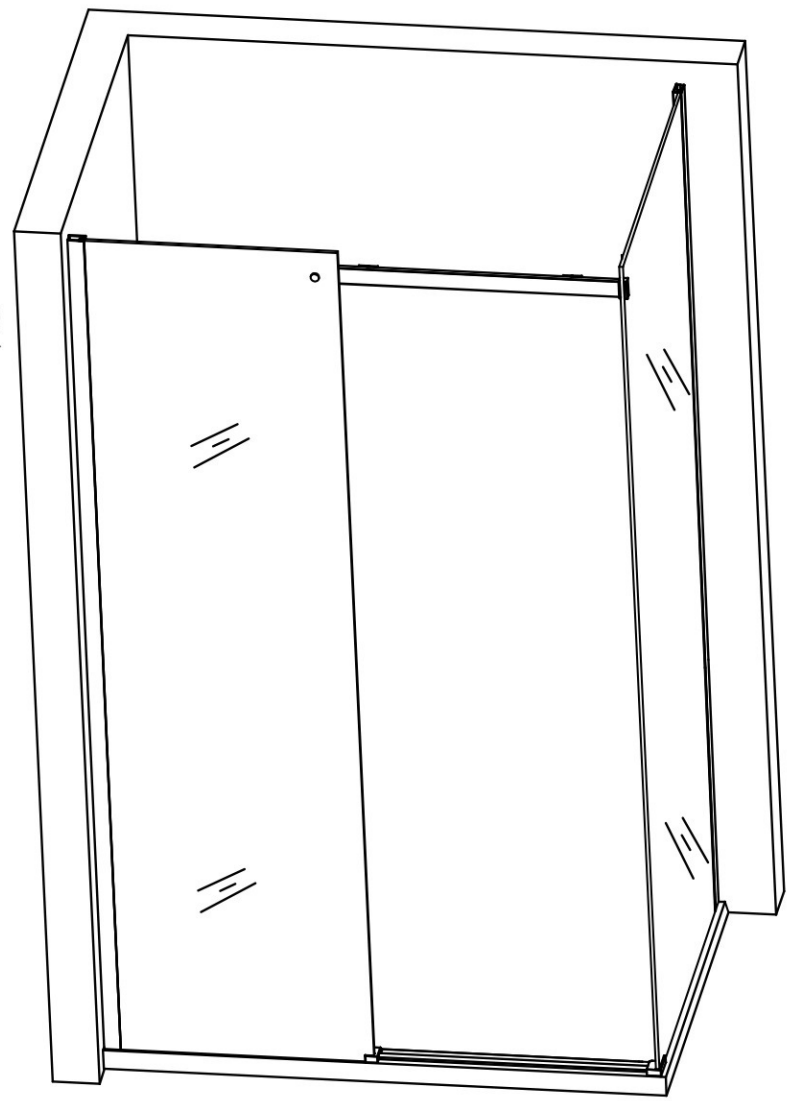
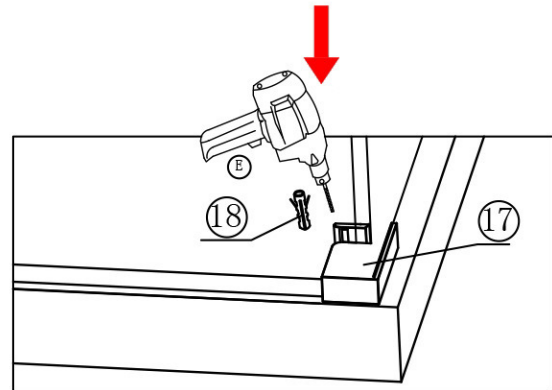
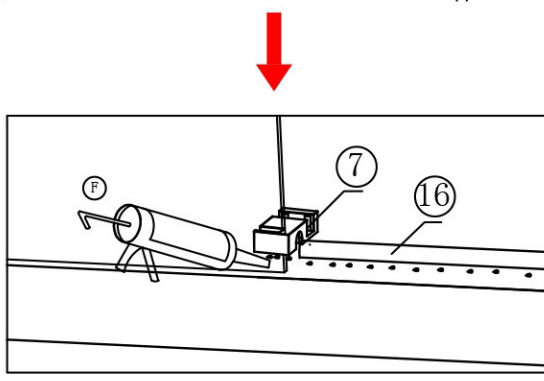
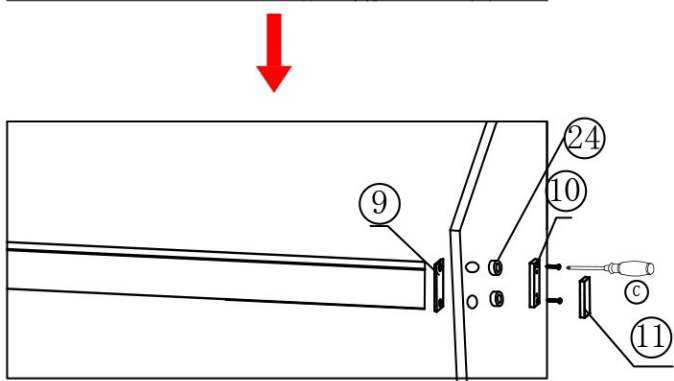
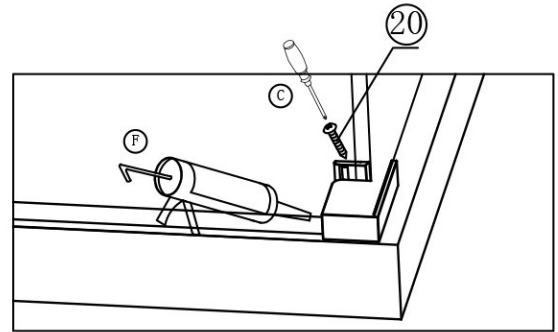
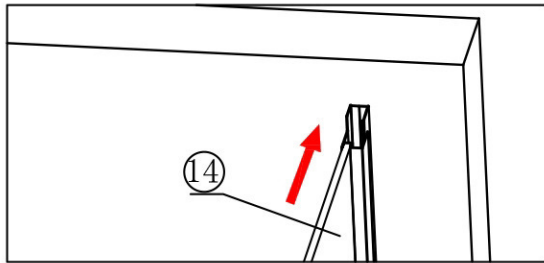
step1: As shown in figure put by aluminum wall installation location, with a spirit level level, and then use marker pen make opening the mark on the wall, use percussion drill hole on the wall, type of plastic expansion tubes, and then put the aluminum with self tapping screw fixed to the wall;



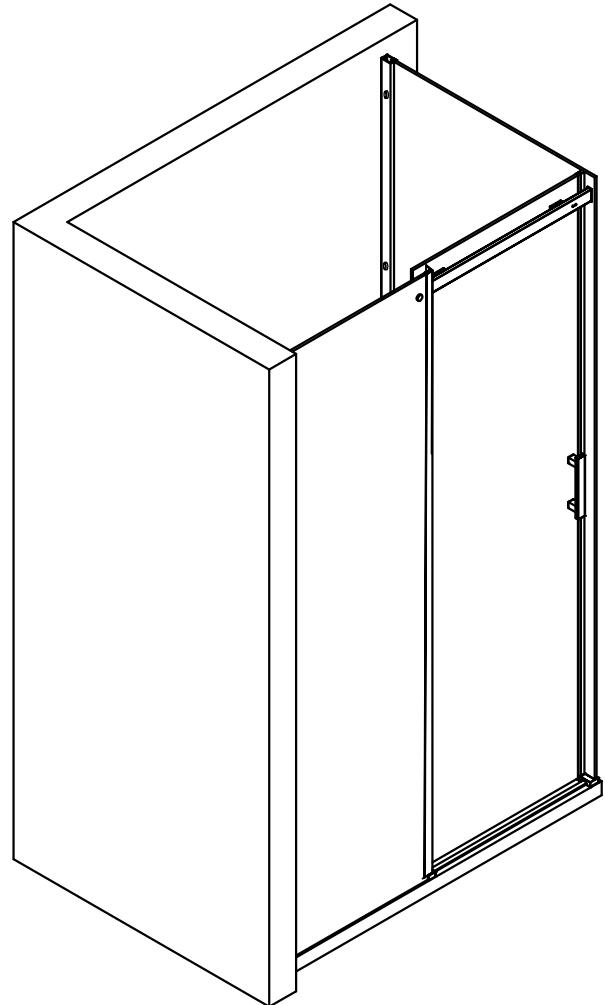
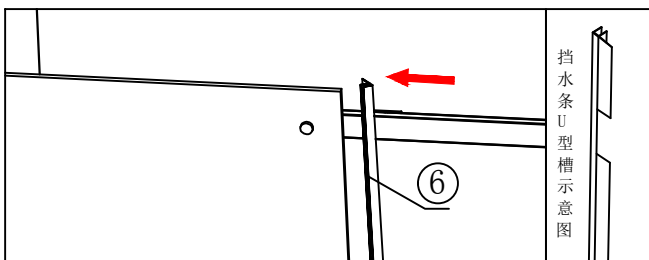
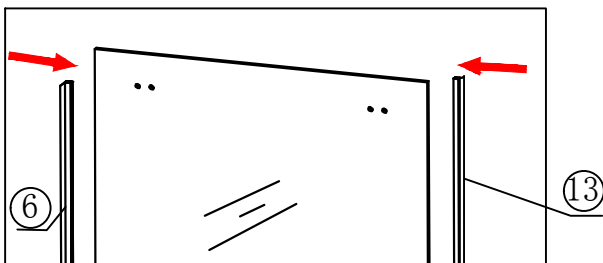
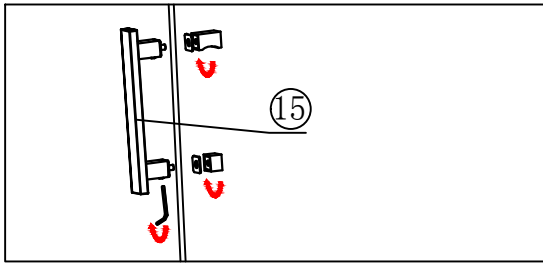
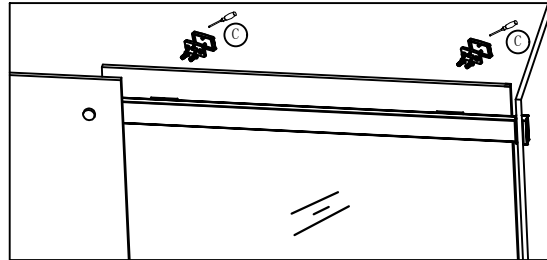
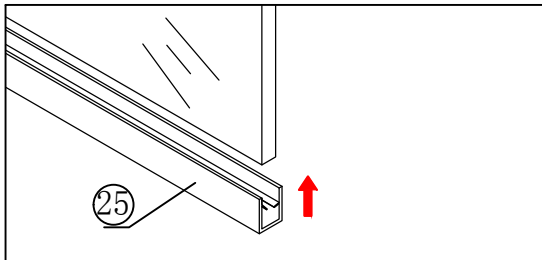
step2: The guide screw is in the glass with screws on aluminum, then the glass with guide pin and guide screw, the glass assembly to rely on a wall on the aluminum, and then on the guide rail in turn into the twist off the lid and screw zinc alloy wheels and wheel positioning block;



step3: Fixed the side glass installation to rely on a wall on the aluminum, glass, and then fixed guide rail according to the figure, in turn in is fixed and side fixed glass edges of glass glue on the glass fixed and Angle of fixed parts;



step4: Connect the movable glass to the active wheel, hold the handle, then install the water proof bar, and the waterproof bar on the fixed glass is cut by the picture to cut a u-shaped slot;



step5:The aluminum material is screwed onto the decorative cover, and the glass glue is placed on the side of the aluminum and the side of the glass.

