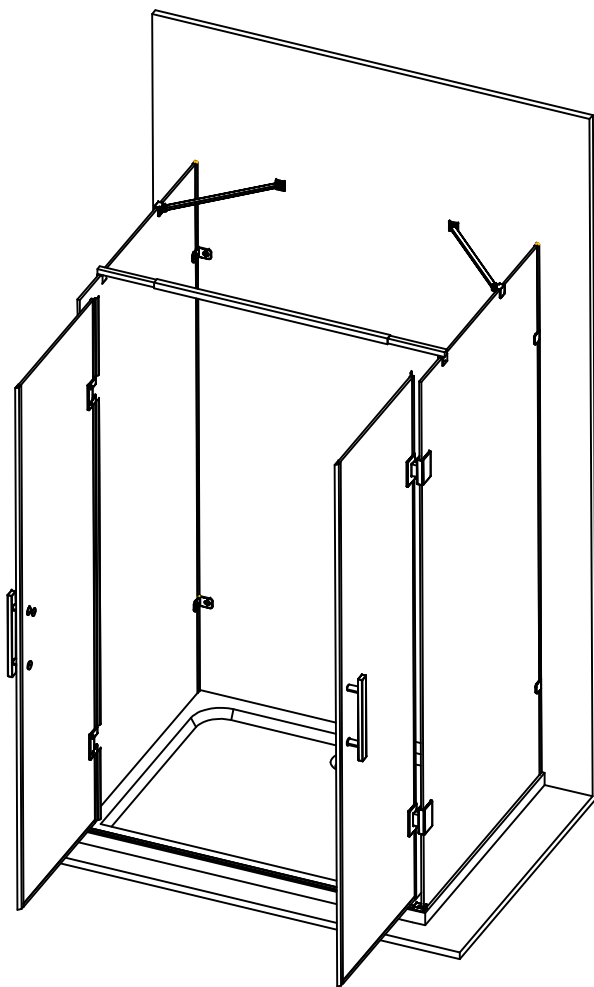
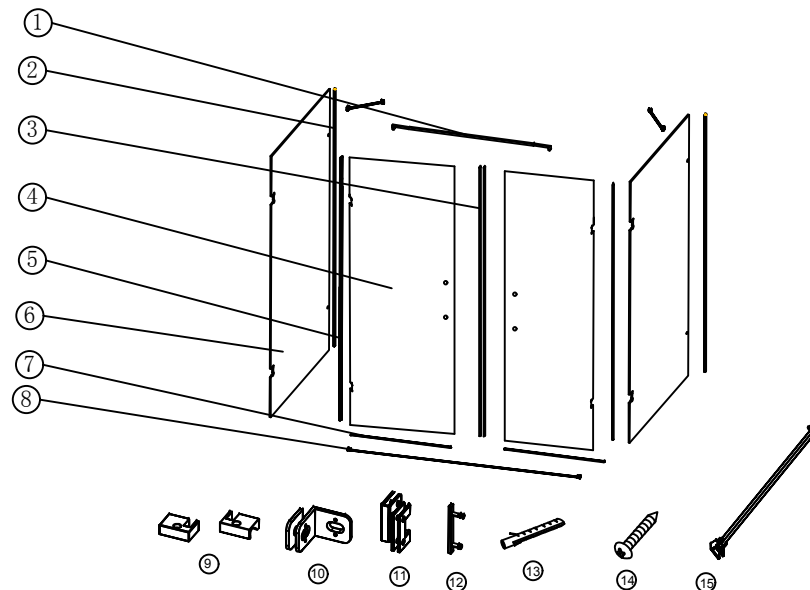


# Ravenna40UK

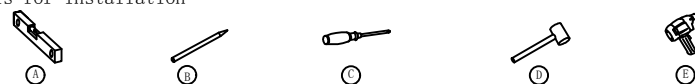


## Installation manual

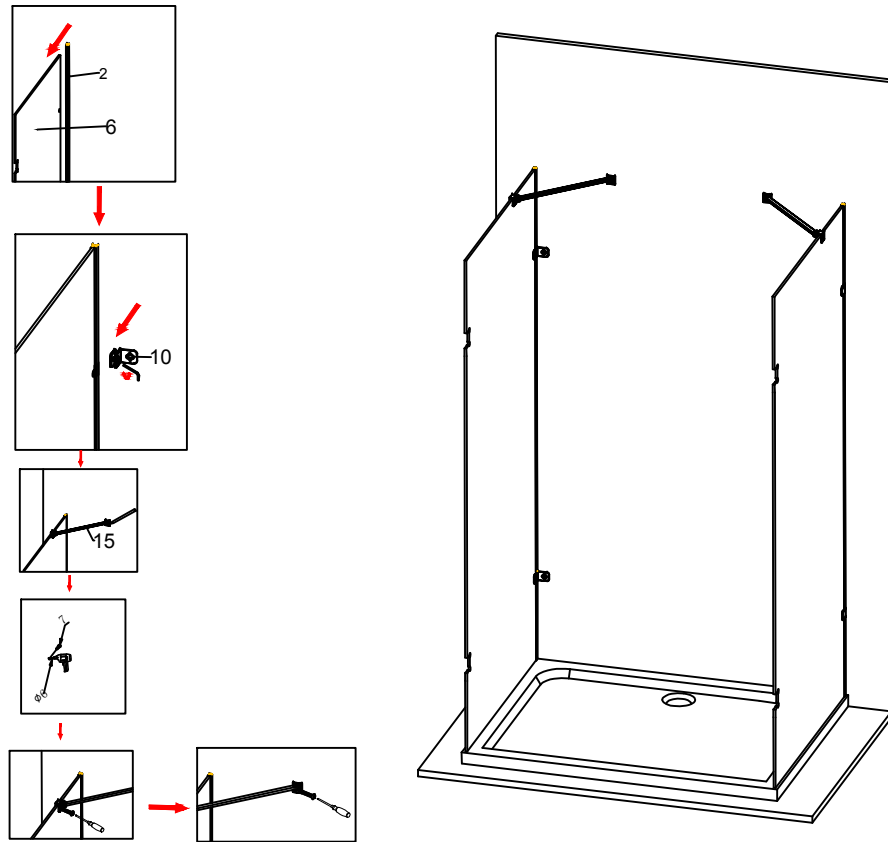


NO.	NAME	QTY	UNIT	NO.	NAME	QTY	UNIT	NO.	NAME	QTY	UNIT
①	Tie article aluminum	1	PCS	⑧	Next bar aluminum	1	PCS	⑬	Universal aluminum poles	2	PCS
②	Article by water retaining wall	2	PCS	⑨	Glass fixture/left/right	2	PCS				
③	Magnetic stripe	2	PCS	⑩	Wall clamp	4	PCS				
④	A door glass	2	PCS	⑪	90 degrees door hinge	4	PCS				
⑤	The moving door stops the water bar	2	PCS	⑫	Shake handhandle	2	PCS				
⑥	Fixed glass	2	PCS	⑬	Expansion pipe	10	PCS				
⑦	The weather bar	2	PCS	⑭	M4 * 40	10	PCS				

Tools for installation



Step 1: install by waterproof wall first, and then clamp in metope, reload universal aluminum support bar



Step 2: take the 90 degrees above the door hinge is installed on a fixed glass, and then put the glass clamp installed, and next in aluminium alloy with good water, and then the door installed and the trapdoor weather bar installed, finally, the shake handhandle, mounted on a magnetic strip in activities above the door, put the square tube telescopic rod adjustment and fixed. Finally install the activity door to stop the water.

